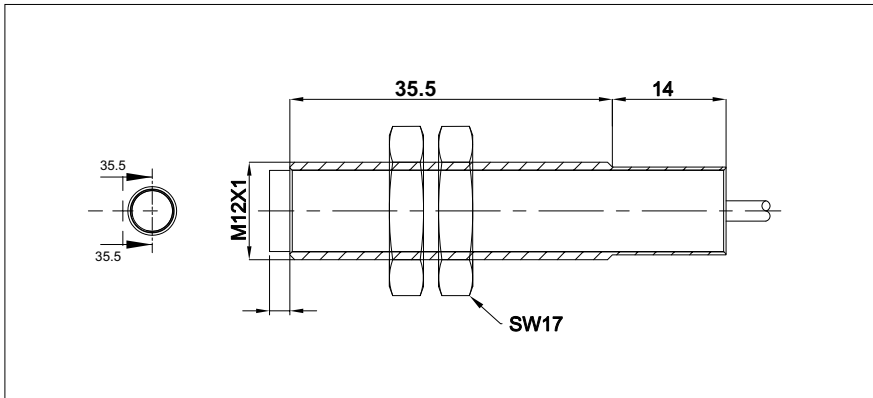


## Inductive Proximity Sensors M12 Series

I12-BC-4NON

### Drawing



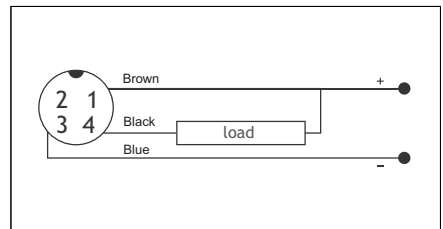
### Brief Specification

- Standard Series
- 4mm Non-Flush
- NPN
- Normally Open
- Cylindrical Brass

### General Specification

Head Dimension	12mm
Sensing Distance	4mm $\pm$ 10%
Hysteresis/ Differential Travel	10%
Sensing Target (Iron)	12X12X1 mm
Switching Element Function	NPN
Output Logic	Normally Open
Mounting	Flush
Output Indicator	LED-RED
Frequency of Operating Cycle	500Hz

### connection diagram



### Electrical Data

Operating Voltage	10-30V DC
Residual Voltage	<1V
Voltage Drop	<2.2V
Rated Operated Current	200mA
No-Load Supply Current	<15mA
Dielectric Strength	1500VAC -50/60Hz for 1 minute

### Mechanical Data

Housing	Housing-Nickel Plated Brass,Nuts-Nickel Plated Brass(2nos),Washer-Nickel Plated Iron
Sensing Face	ABS Plastic (NPN-Grey)
Connection	Cable,3 Core,0.25 Sqmm,24Awg, 14 x 0.15mm PVC Black(Brown,Blue,Black)

### Protection and Tests

Protection Circuit	Surge Protection, Reverse Polarity, Over Current Protection
Shock Test	500m/s <sup>2</sup> ( 50G ) - X,Y,Z directions for 3 times
Vibration Test	1mm amplitude at frequency of 10-55 Hz in each of X,Y,Z directions for 2Hrs
Protection Class	IP 67

### Ambient Conditions

Operating Temperature	-25°C to +70°C
-----------------------	----------------