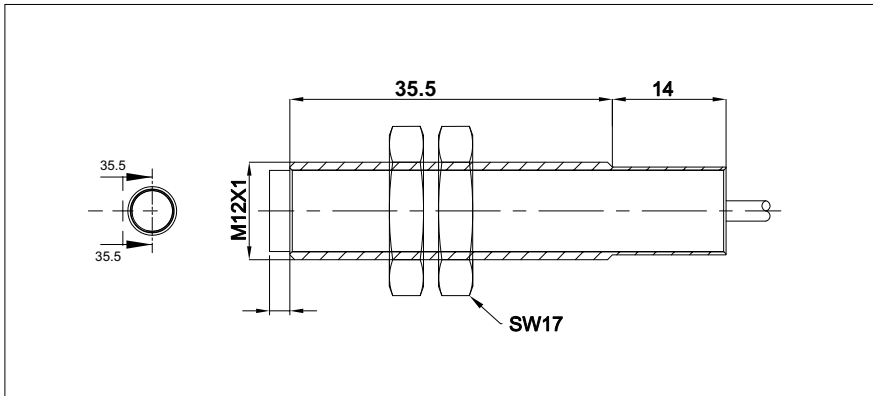


Inductive Proximity Sensors M12 Series

I12-BC-4NCN

Drawing



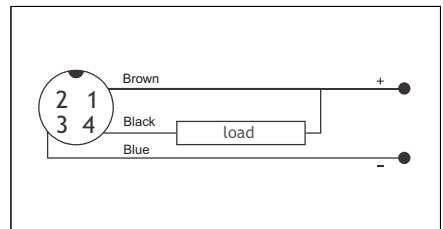
Brief Specification

- Standard Series
- 4mm Non-Flush
- NPN
- Normally Closed
- Cylindrical Brass

General Specification

| | |
|------------------------------------|-----------------|
| Head Dimension | 12mm |
| Sensing Distance | 4mm \pm 10% |
| Hysteresis/ Differential Travel | 10% |
| Sensing Target (Iron) | 12X12X1 mm |
| Switching Element Function | NPN |
| Output Logic | Normally Closed |
| Mounting | Non-Flush |
| Output Indicator | LED-RED |
| Frequency of Operating Cycle | 500Hz |

connection diagram



Electrical Data

| | |
|------------------------|-------------------------------|
| Operating Voltage | 10-30V DC |
| Residual Voltage | <1V |
| Voltage Drop | <2.2V |
| Rated Operated Current | 200mA |
| No-Load Supply Current | <15mA |
| Dielectric Strength | 1500VAC -50/60Hz for 1 minute |

Mechanical Data

| | |
|--------------|--|
| Housing | Housing-Nickel Plated Brass,Nuts-Nickel Plated Brass(2nos),Washer-Nickel Plated Iron |
| Sensing Face | ABS Plastic (NPN-Grey) |
| Connection | Cable,3 Core,0.25 Sqmm,24Awg, 14 x 0.15mm PVC Black(Brown,Blue,Black) |

Protection and Tests

| | |
|--------------------|---|
| Protection Circuit | Surge Protection, Reverse Polarity, Over Current Protection |
| Shock Test | 500m/s ² (50G) - X,Y,Z directions for 3 times |
| Vibration Test | 1mm amplitude at frequency of 10-55 Hz in each of X,Y,Z directions for 2Hrs |
| Protection Class | IP 67 |

Ambient Conditions

| | |
|-----------------------|----------------|
| Operating Temperature | -25°C to +70°C |
|-----------------------|----------------|