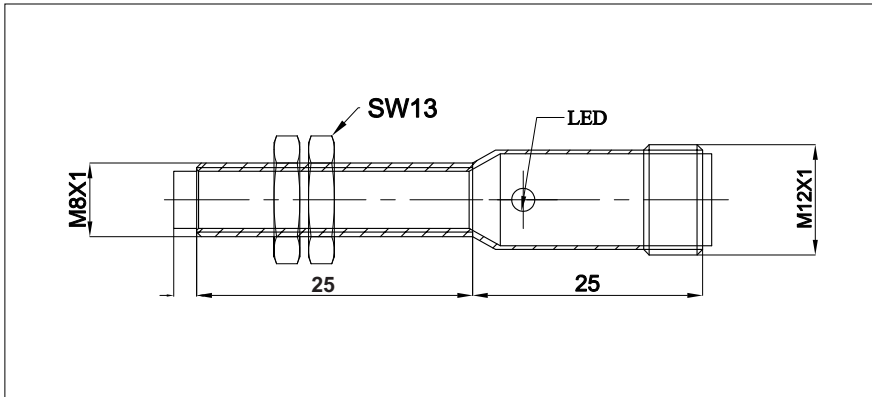


Inductive Proximity Sensors M08 Series

I08-BP-3NCN

Drawing



General Specification

Head Dimension	8mm
Sensing Distance	2.5mm ±10%
Hysteresis/ Differential Travel	10%
Sensing Target (Iron)	8X8X1 mm
Switching Element Function	NPN
Output Logic	Normally Closed
Mounting	Non-Flush
Output Indicator	LED-RED
Frequency of Operating Cycle	600Hz

Electrical Data

Operating Voltage	10-30V DC
Residual Voltage	<1V
Voltage Drop	<2.2V
Rated Operated Current	100mA
No-Load Supply Current	<15mA
Dielectric Strength	1500VAC -50/60Hz for 1 minute

Mechanical Data

Housing	Housing-Nickel Plated Brass,Nuts-Nickel Plated Brass(2nos),Washer-Nickel Plated Iron
Sensing Face	ABS Plastic (NPN-Grey)
Connection	Plug-In,3 Core,0.25 Sqmm,24Awg, 14 x 0.15mm PVC Black(Brown,Blue,Black)

Protection and Tests

Protection Circuit	Surge Protection, Reverse Polarity, Over Current Protection
Shock Test	500m/s ² (50G) - X,Y,Z directions for 3 times
Vibration Test	1mm amplitude at frequency of 10-55 Hz in each of X,Y,Z directions for 2Hrs
Protection Class	IP 67

Ambient Conditions

Operating Temperature	-25°C to +70°C
-----------------------	----------------

Brief Specification

- Standard Series
- 2.5mm Non-Flush
- NPN
- Normally Closed
- Cylindrical Brass

connection diagram

